

10RS RESILIENT WEDGE GATE

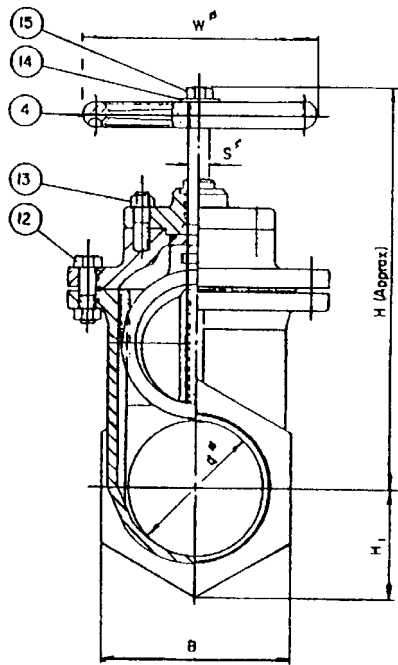


- ❖ Threaded Ends
- ❖ Resilient Wedge
- ❖ Non-Rising Stem
- ❖ Stainless Steel Stem
- ❖ Epoxy Coating - Internal & External

200 PSI NON-SHOCK WOG MAXIMUM TEMPERATURE 140°F

Applications: Irrigation, Potable Water, Turf, Golf Course,
Water Distribution Service & Feed Lines, Sewage Disposal

Tested to AWWA C509 Section 5
ASTM A126 Class B
ISO 9002

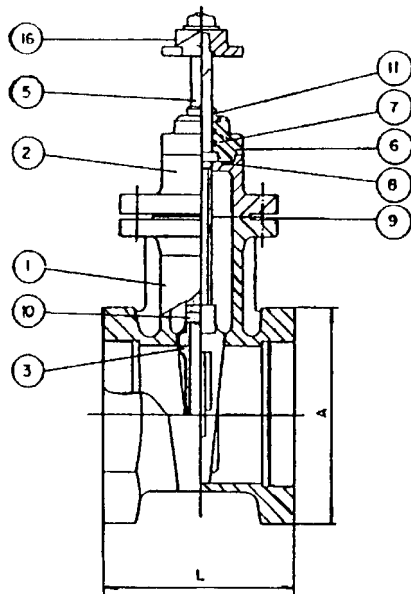


DIMENSIONS & WEIGHTS

| SIZE d _ø INCH | L | A | B | S _ø | W _ø | H1 | H | WT .LBS. |
|-----------------------------|-------|-------|-------|----------------|----------------|------|-------|----------|
| 2 | 5.00 | 3.63 | 3.13 | 0.63 | 6.94 | 1.81 | 8.50 | 16 |
| 2.5 | 5.50 | 4.31 | 3.75 | 0.63 | 6.94 | 2.16 | 9.06 | 20 |
| 3 | 5.94 | 5.00 | 4.31 | 0.69 | 7.13 | 2.50 | 10.25 | 26 |
| 4 | 7.50 | 7.06 | 6.06 | 0.81 | 7.88 | 3.53 | 12.50 | 50 |
| 5 | 8.25 | 7.94 | 6.88 | 0.88 | 9.88 | 3.97 | 14.56 | 75 |
| 6 | 9.06 | 9.44 | 8.19 | 0.94 | 9.88 | 4.72 | 16.81 | 84 |
| 8 | 10.00 | 11.81 | 10.25 | 1.00 | 11.00 | 5.72 | 20.88 | 154 |

MATERIAL SPECIFICATIONS

| NO. | PART | MATERIAL | ASTM DESIGNATION |
|-----|-------------------|-----------------|------------------|
| 1 | Body | Cast Iron | A 126 Class B |
| 2 | Bonnet | Cast Iron | A 126 Class B |
| 3 | Disc | Cast Iron | |
| | | Rubber (Buna-N) | A 126 Class B |
| 4 | Hand Wheel | Cast Iron | A 126 Class B |
| 5 | Stem | Stainless Steel | A 276 Type 304 |
| 6 | Stuffing Box | Cast Iron | A 126 Class B |
| 7 | O-Ring A | Rubber | D 2000 AA 6014 |
| 8 | O-Ring B | Rubber | D 2000 AA 6014 |
| 9 | Bonnet Gasket | Rubber | D 2000 AA 6014 |
| 10 | Stem Nut | Stainless Steel | A 276 Type 304 |
| 11 | Wiper Ring | Rubber | D 2000 AA 6014 |
| 12 | Bonnet Bolt & Nut | Steel | A 307 Grade B |
| 13 | Stud & Nut | Steel | A 307 Grade B |
| 14 | Hand Wheel Washer | Steel | A 284 |
| 15 | Top Nut | Steel | A 307 Grade B |
| 16 | Operating Nut | Cast Iron | A 126 Class B |



Product Spec Sheet



Brewster, NY Toll Free:
TEL: 800-431-2082
FAX: 800-640-2252

Houston, TX Toll Free:
TEL: 800-935-5456
FAX: 800-683-4247

La Palma, CA Toll Free:
TEL: 866-532-8306
FAX: 866-532-8307

e-mail: mail@matco-norca.com

www.matco-norca.com